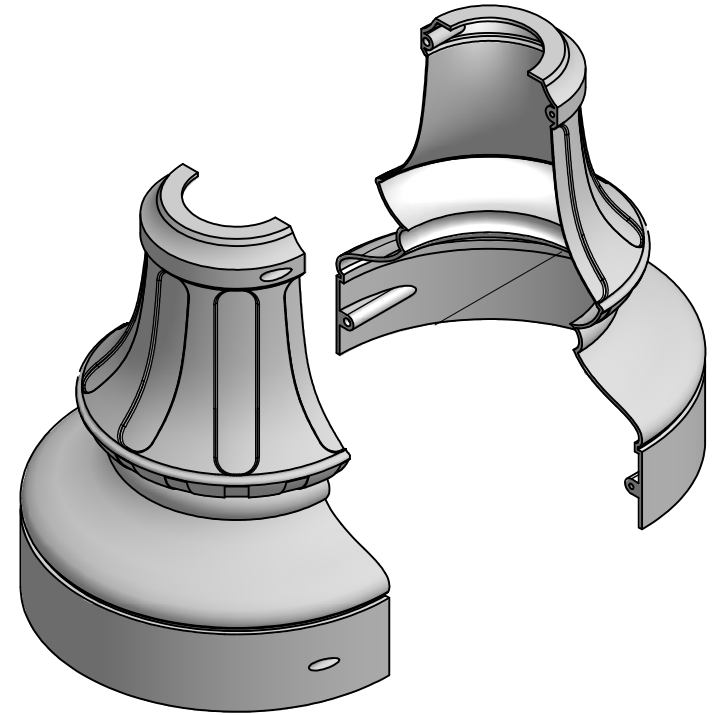



NOTE: FINISH SHALL BE POLYESTER POWDER COAT  
IN A STANDARD COLOR.



CLAMSHELL BASE CASTING

DRAWN M. HARVALA	11/18/2010	 <b>GENERAL STRUCTURES, INC.</b> 23171 GROESBECK HWY. WARREN, MI 48089	TITLE	
CHECKED			A	
QA		SIZE		DWG NO
MFG		C		B1-CS
APPROVED		SCALE		REV
				SHEET 1 OF 1