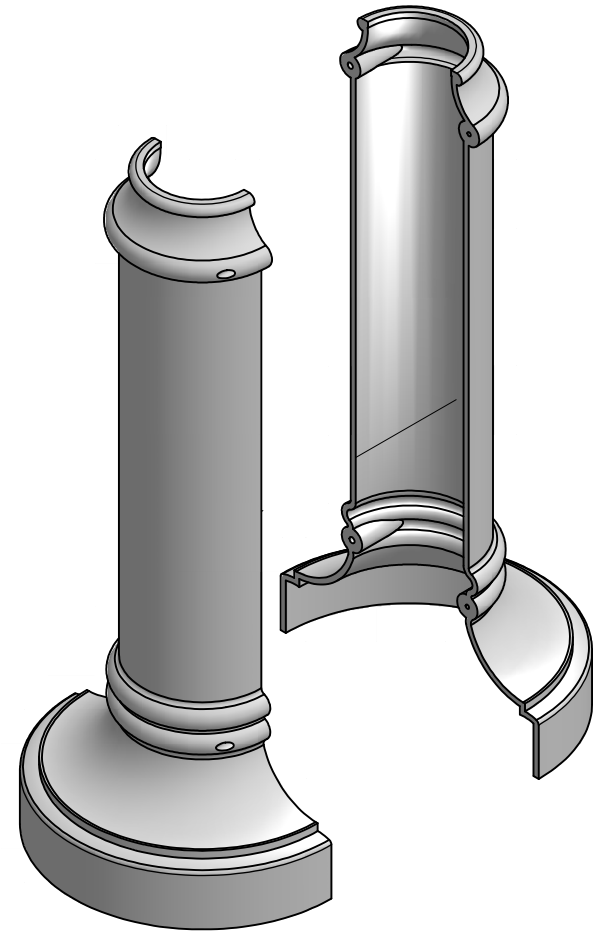



NOTE: FINISH SHALL BE POLYESTER POWDER COAT IN A STANDARD COLOR.



CLAMSHELL BASE CASTING

DRAWN M. HARVALA	11/18/2010	 GENERAL STRUCTURES, INC. 23171 GROESBECK HWY. WARREN, MI 48089		
CHECKED				
QA		TITLE		
MFG				
APPROVED				
		SIZE	DWG NO	REV
		C	B5-CS	
		SCALE	SHEET 1 OF 1	